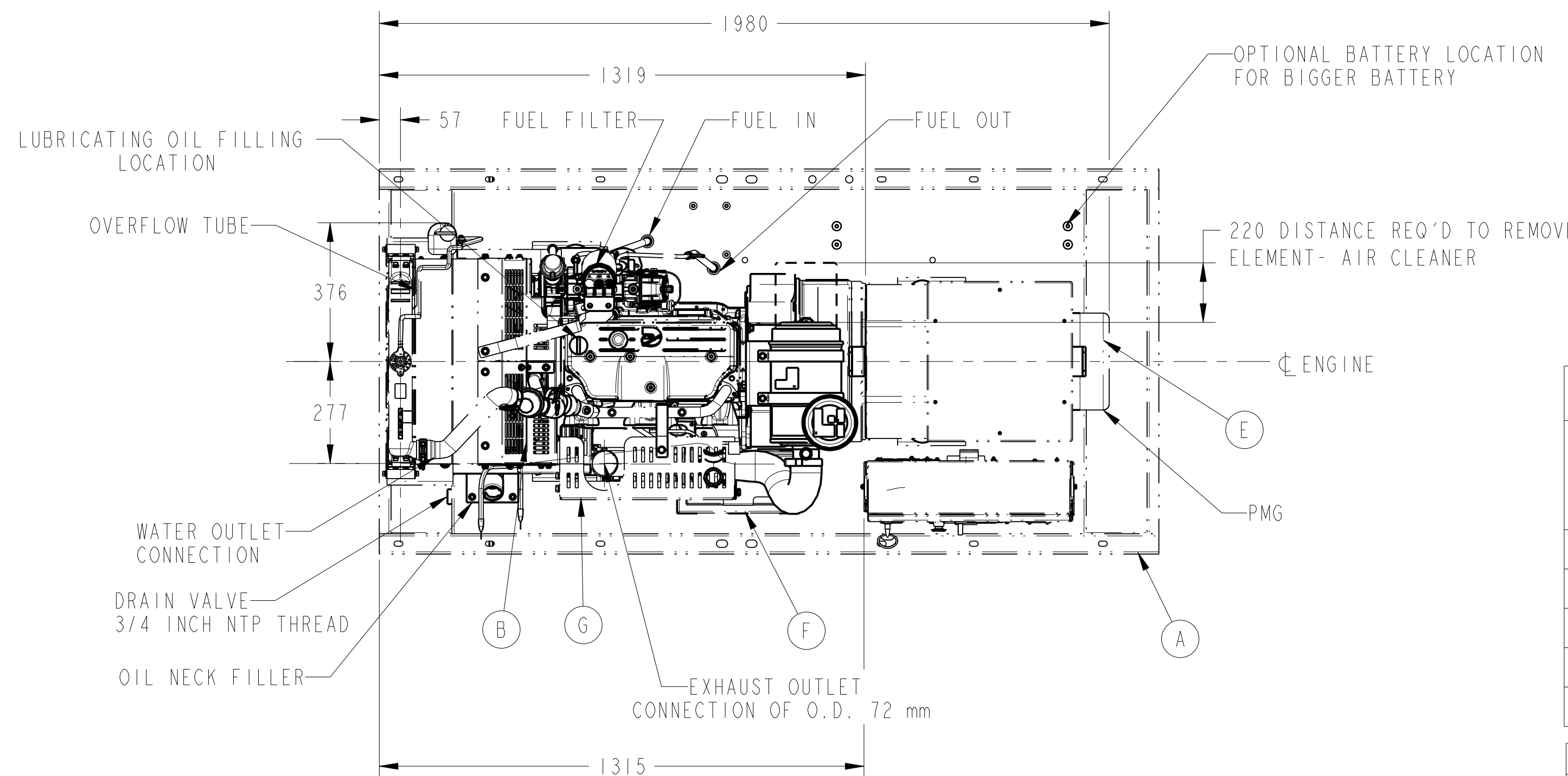
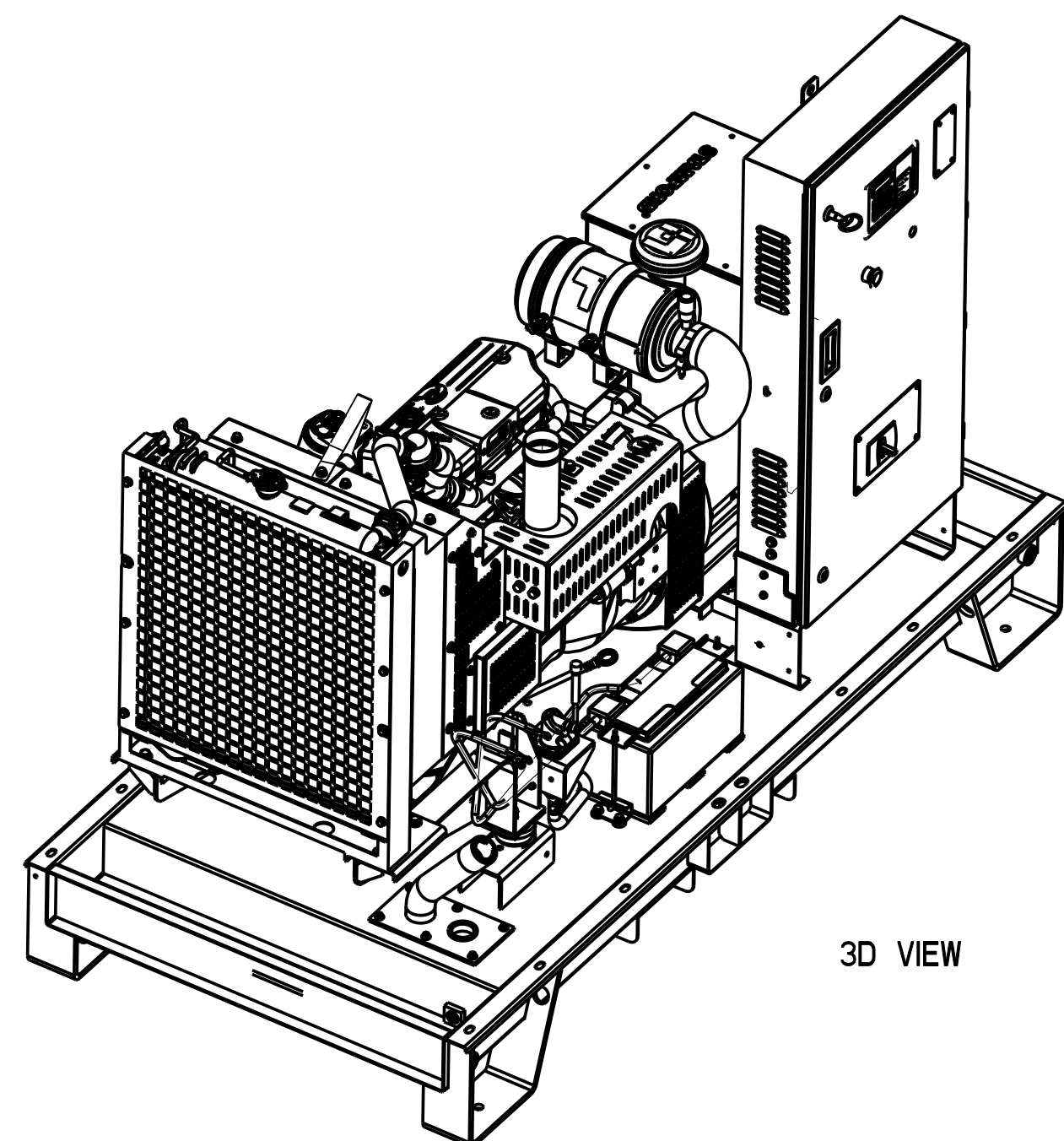


REL NO	LTR	NO	REVISION	OWN	CRD	APVD	DATE
ECO-120162	A	1	DEVELOPMENT RELEASE	SP	KB	A. MEHTA	11OCT11

NOTES:

- VIEWS SHOW STANDARD BASE SKID.
- FUEL TANK CAPACITY 150 Ltrs. APPROXIMATE.
- CUSTOMER LOAD CABLES TO BE FLEXIBLE TO ALLOW MOVEMENTS OF GENSET ON ANTI-VIBRATION MOUNTS.
- THIS IS FOR NON CAC

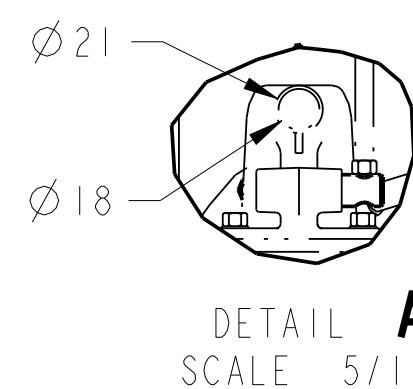
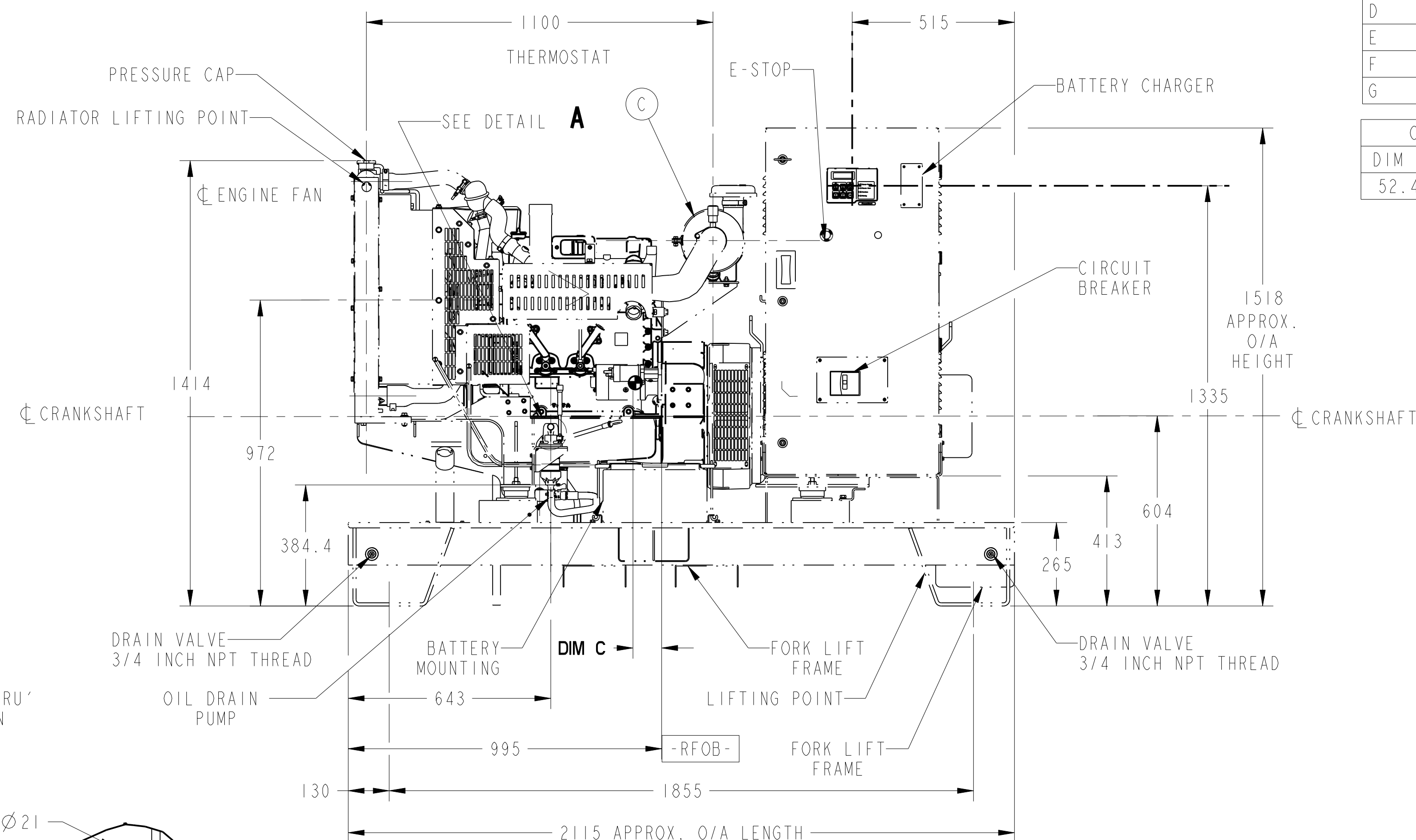
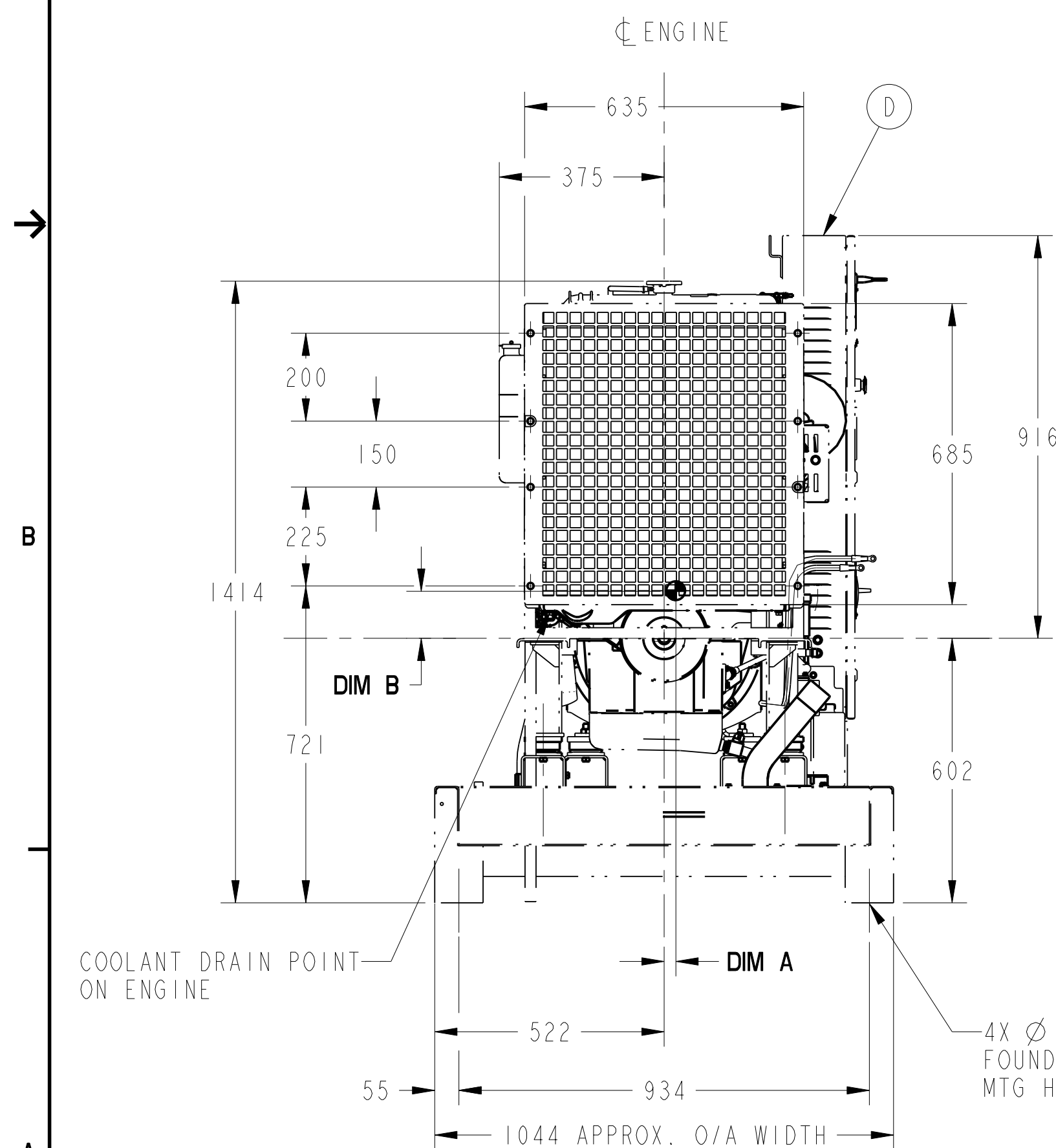
- C 44 D5
- C 55 D5
- C 40 D6
- C 50 D6



S/N	GENSET NOMENCLATURE	OPEN GENSET DRY WEIGHT WITH SKID (kg)		OPEN GENSET WET WEIGHT (kg.)	
		WITH EBS	WITHOUT EBS	WITH EBS	WITHOUT EBS
1	S3.8 + UC 224 C	945.2	940.2	1107.2	1102.2
2	S3.8 + UC 224 D	958.2	953.2	1120.2	1115.2
3	S3.8 + UC 224 E	985.2	980.2	1147.2	1142.2
4	S3.8 + UC 224 F	1005.2	1000.2	1167.2	1162.2
5	S3.8 + UC 224 G	1055.2	1050.2	1217.2	1212.2

ITEM	DESCRIPTION
A	STANDARD SKID
B	RADIATOR GUARD
C	AIR CLEANER
D	CONTROL PANEL
E	PMG
F	BATTERY MOUNTING
G	EXHAUST GUARD

DIM A	DIM B	DIM C
52.4	127.7	10.4



DIM		TOLERANCE	
X ± 1	0.00 - 4.99	+0.15/-0.08	
.X ± 0.8	5.00 - 9.99	+0.20/-0.10	
.XX ± 0.38	10.00 - 17.49	+0.25/-0.13	
	17.50 - 24.99	+0.30/-0.13	

SIN 10 0500-5145	OWN S. PATIL
DO NOT SCALE PRINT	CRD K. BANU
APVD A. MEHTA	DATE 10AUG11
ANG TOL: ± 1.0°	SCALE: 3/32

CONFIDENTIAL		PROPERTY OF CUMMINS POWER GENERATION GROUP	
FOR INTERPRETATION OF DIMENSIONS AND TOLERANCING, SEE ASME Y14.5M-1994		FIRST USED ON S3.8 INTL SPEC	
SITE CODE	CIL	REV	D
A040U984		SHEET	1 OF 1
CUMMINS POWER GENERATION		OUTLINE, GENSET	

Part A040U984 A

Description	Legacy Name	External Regulations	Application Status	Release Phase Code	Security Classification	Alternates
OUTLINE,GENSET	A040U984	None	Production Only	Development	Proprietary	

Part Specifications :A040U984 A

Name	Description	Legacy Name
A030B356	SPECIFICATION,MATERIAL	CES10903
A040U985	DRAWING,ENGINEERING	A040U985